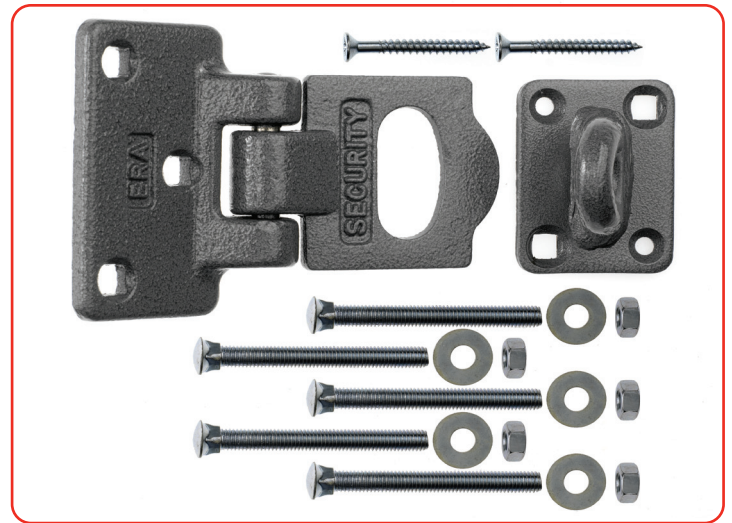


### Close Shackle Padlock & Narrow Style Locking Bar



#### Features

- The **Close Shackle Padlock** has a 5 brass lever locking mechanism with a close hardened steel shackle
- Master keying is available
- Doors up to 63mm thick can be secured when used in conjunction with the ERA Narrow Style Security Locking Bar
- The **Narrow Style Locking Bar** is manufactured from heavy malleable iron castings for maximum strength
- Hardened forged steel hasp conceals the staple to prevent hacksawing and forced wrenching



Narrow Style Locking Bar

### Close Shackle Padlock & Narrow Style Locking Bar

#### Ordering Details

##### Close Shackle 5 Lever Padlock

Product	Part No. Clam Pack	Part No. Box Version
Grey 64mm (2 1/2")	975-92	975-91

##### Narrow Style Locking Bar

Product	Part No. Clam Pack	Part No. Box Version
Grey Narrow Style	125-42	125-41

The Close Shackle Padlock is also available to pass and also under a master key.

#### Packaging

##### Padlock

1 padlock per box/clam, 24 per outer box or 5 per outer clam

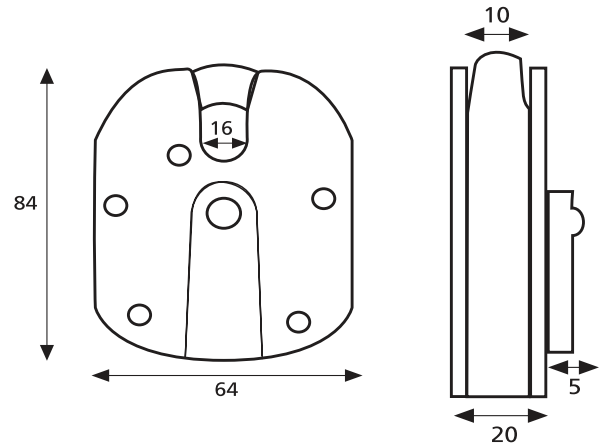
##### Locking Bar

1 locking bar per box/clam, 10 per outer box or 5 per outer clam

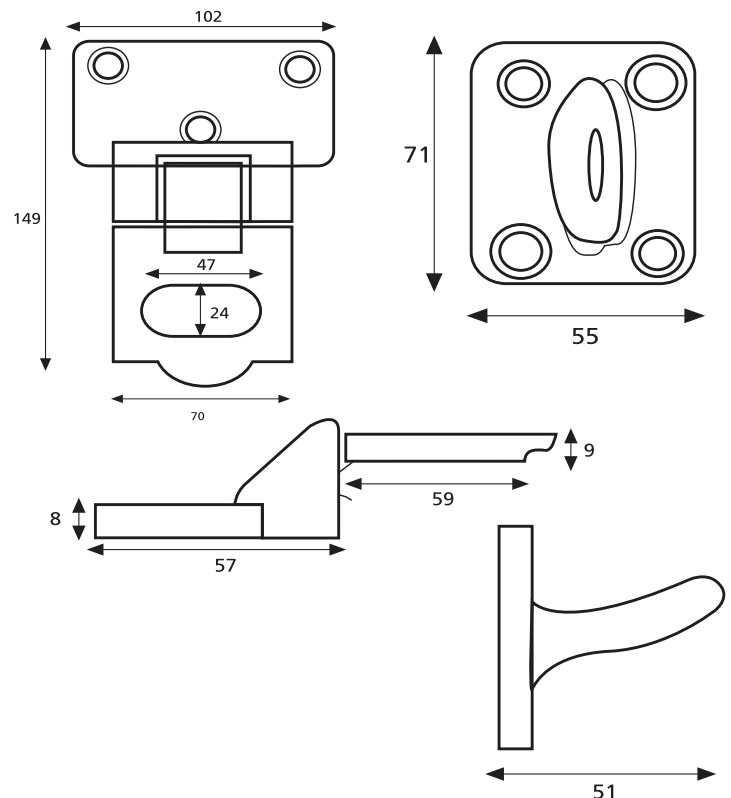
#### Maintenance

Wipe the surface periodically with a soft cloth to remove excess grease or moisture.

Close Shackle Padlock



Narrow Style Locking Bar



All dimensions are in mm.

ERA reserves the right to change specification without notice. It is the responsibility of the door manufacturer to ensure that the finished product meets any required safety and performance specification.